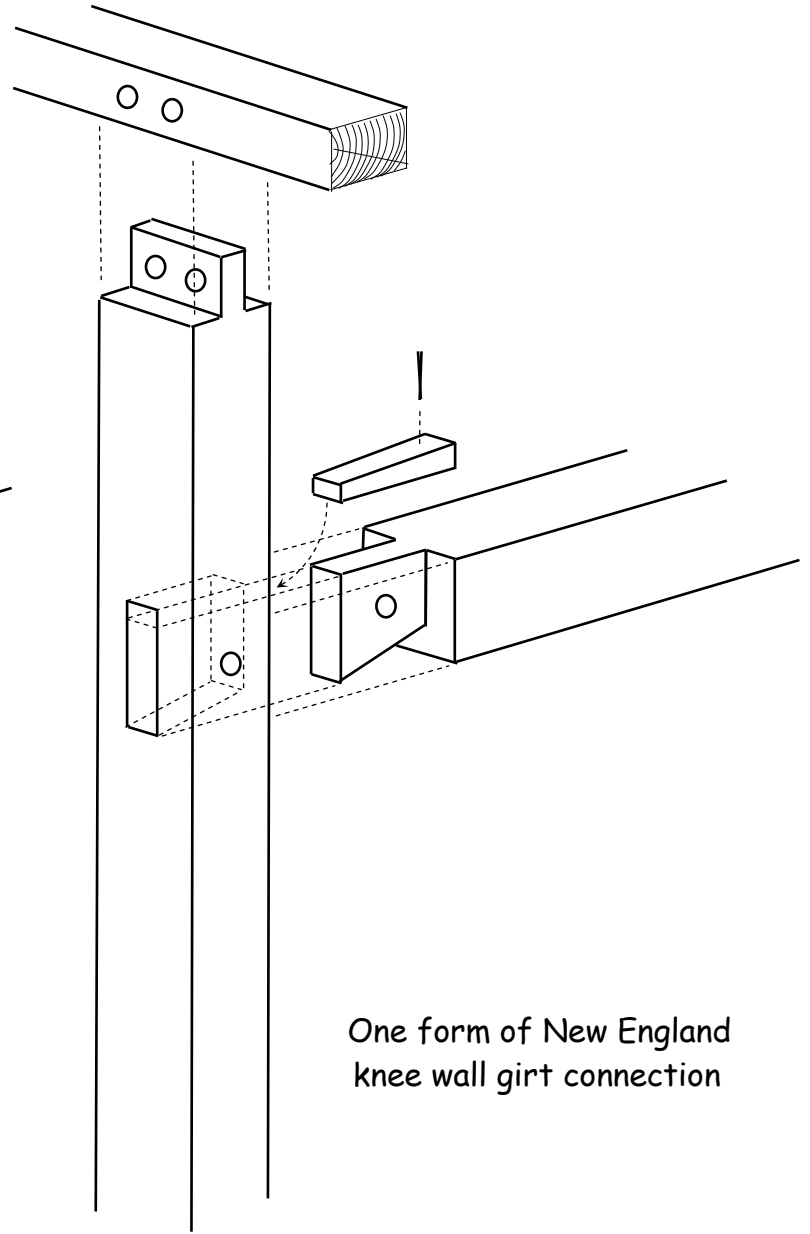


One form of Dutch anchor bent connection



One form of New England knee wall girt connection