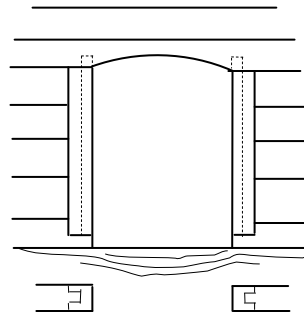
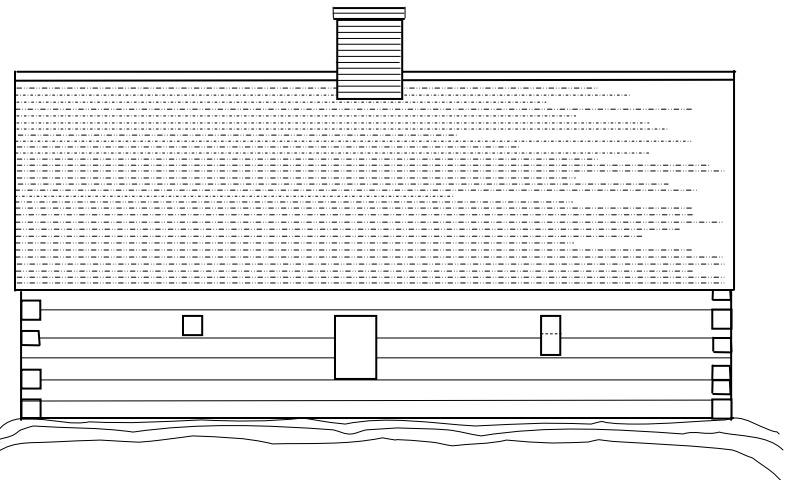


EAST ELEVATION



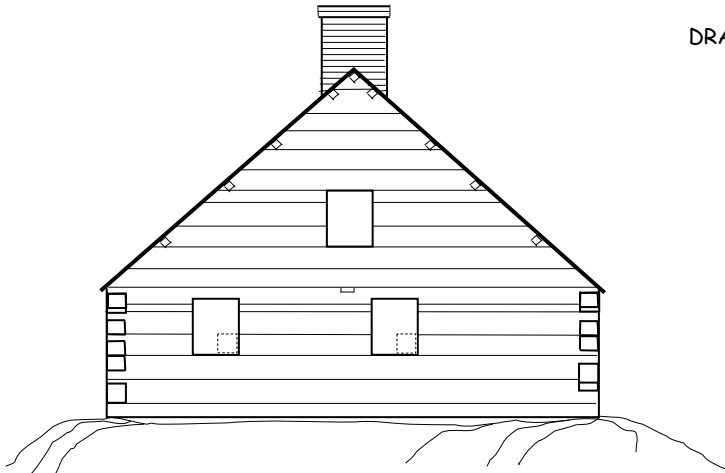
DETAIL OF DOORWAY
SCALE 1/2" = 1'



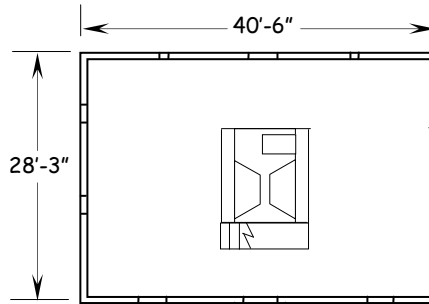
WEST ELEVATION

BUNKER GARRISON HOUSE
DURHAM, NEW HAMPSHIRE
SCALE 1/4" = 1'

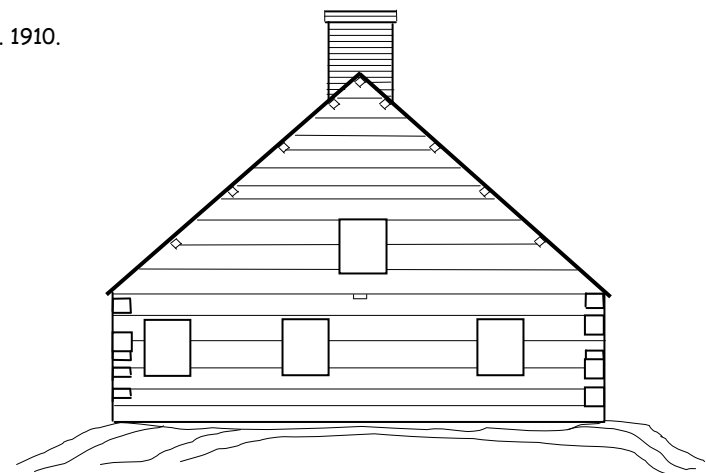
DRAWN FROM MEASUREMENTS MADE — DECEMBER 5TH .. 1910.



SOUTH ELEVATION



GROUND FLOOR PLAN
SCALE 1/8" = 1'



NORTH ELEVATION

AFTER DRAWINGS BY CHARLES R. WAIT, ARCHITECT