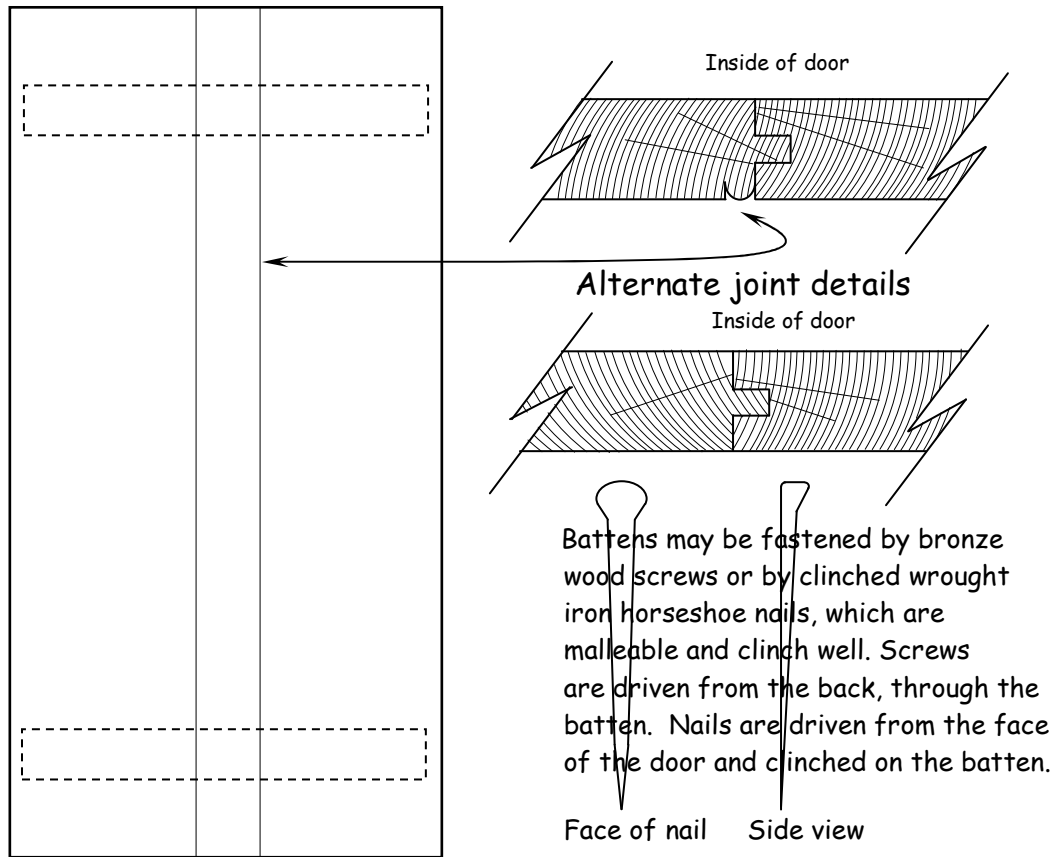
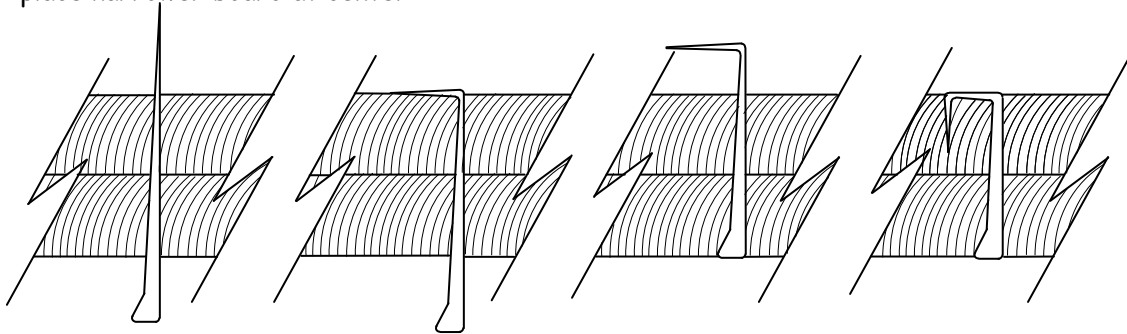


Board and Batten Door

Overall view and details (not to scale)



If door is made of more than two boards, place narrower board at center



Four steps in clinching a wrought iron nail through board and batten

Below: Two batten patterns, showing a cross section of each style of batten

